

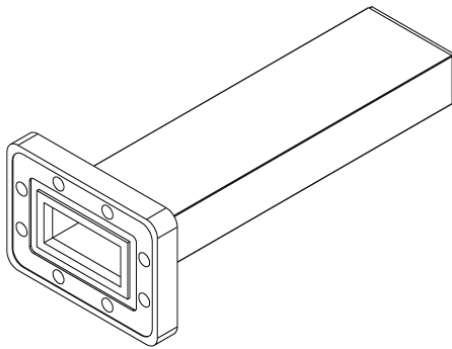


Model Number:
WGLKX-XXXX-197063

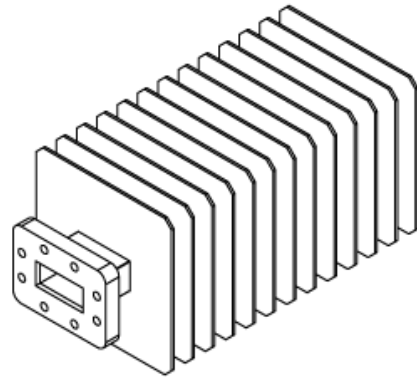
RF Components

Ku-Band Waveguide Load / Termination

10-15 GHz



Test Voltage



100 / 200 / 1000 / 3000 W

Specification						
Waveguide Size	WG17 / WR75 / R120					
Frequency	10 - 15 GHz					
Material	Brass / Aluminium					
Max Power (W)	Test Voltage Only	2	100	200	1000	3000
VSWR / Return Loss	1.02:1	1.1:1/26.4 dB				
Waveguide Flanges	CPR 137G (CG) / CPR 137F (CF) PDR 70 (PD) / UDR 70 (UD) UBR120 (UB) / PBR120 (PB) UAR 70 (UA) / PAR 70 (PA) UG344/U (US) / UG343B/U (UG) / UG344/U (UF)					
Finish	Black Paint					

* We recommend our 3000W model is used with a fitted fan, we can provide these also.

Model Numbers Example WGLKB-0200-197063-CF				
WGLK	B	0200	197063	CF
Waveguide Load	A—Aluminium B— Brass	Maximum Power (W) i.e 200W	Model Number	Waveguide Flange

Broadcast



Marine Oil & Gas



SNG & VSAT



Satellite Teleport

